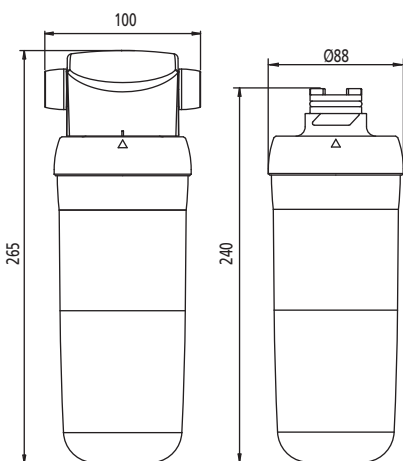


WaterPurifier⁺

AQUA
Comfort
WATERBEHANDELINGSTECHNIËKEN

Norit H₂O K WaterPurifier⁺

Productcode 24.2.101



Dimensions & Weight

Overall length	240 mm
Overall diameter	Ø88 mm
Dry weight system	675 grams

Connection

To mains	3/8" BSP
----------	----------

Storage & Handling

- Keep dry during storage
- Protect against freezing after first use
- Handle with care; do not expose to shocks
- Disposable product; discard as regular waste

Filterhead

Sold separately under productcode 24.2.901



MEMBER
Water Quality
ASSOCIATION

Technology

Capillary ultrafiltration membranes
Granular activated carbon (GAC)

Performance ⁽¹⁾

Rated capacity	3.000 liter
Lifetime	6 months maximum
Flowrate	3 l/min at 2 bar

Compliance

Biological retention ⁽²⁾	Viruses	> 99,99 % (MS2 phages)
	Bacteria	> 99,9999 % (Pseudomonas D.)
Chemical reduction ⁽³⁾	Cysts	> 99,9999 %
	Herbicides & pesticides	> 80 % (Atrazine & 2,4-D)
	Medicine residues	> 90 % (Ethinylestradiol)
Aesthetic & Mechanical effects ⁽⁴⁾	Endocrine disrupting compounds	> 90 % (Bisphenol-A)
	Chlorine reduction	> 95 %
Material Safety	Taste & odor improvement	
	Turbidity reduction	
	Reduces abrasion on equipment	
	Extraction tests	according to NSF/KTW
	Structural Integrity ⁽⁴⁾	Hydrostatic pressure
Conditions of use	Cyclic pressure	100K cycles of 10.4 bar at 20°C
	Burst pressure	27.6 bar at 20°C

Conditions of use

Max. operating pressure	6 bar
Operating temperature	0 – 40°C
Replace at least every	6 months
	Flush 5 liters before first use

(1) Product performance is dependent on incoming water conditions

(2) Tested according to NSF P231 (microbiological water purifiers) by Vitens Laboratory, The Netherlands

(3) Tested according to NSF 53

(4) Tested according to NSF general DWTU guidelines

Limited warranty: Filtrix B.V. represents and warrants for the warranty period of one year that its products will be free from substantial defects in materials and workmanship. This warranty is subject to exclusions and limitations. For details on warranty and limitation of liability please refer to our warranty sheet.

Disclaimer: The information and data contained in this document are based on our general experience and are believed to be correct. They are given in good faith and are intended to provide a guideline for the selection and use of our products. Since the conditions under which our products may be used are beyond our control, this information does not imply any guarantee of final product performance and we cannot accept any liability with respect to the use of our products. The quality of our products is guaranteed under our conditions of sale. Existing industrial property rights must be observed.

product data sheet: WaterPurifier⁺

Norit
leading in purification

Filtrix

REV. 0703